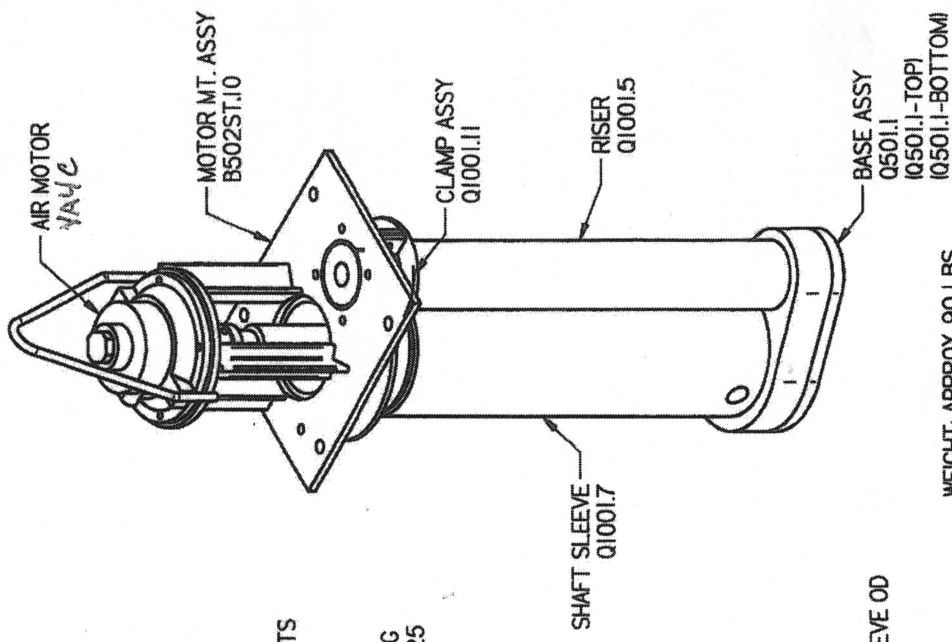
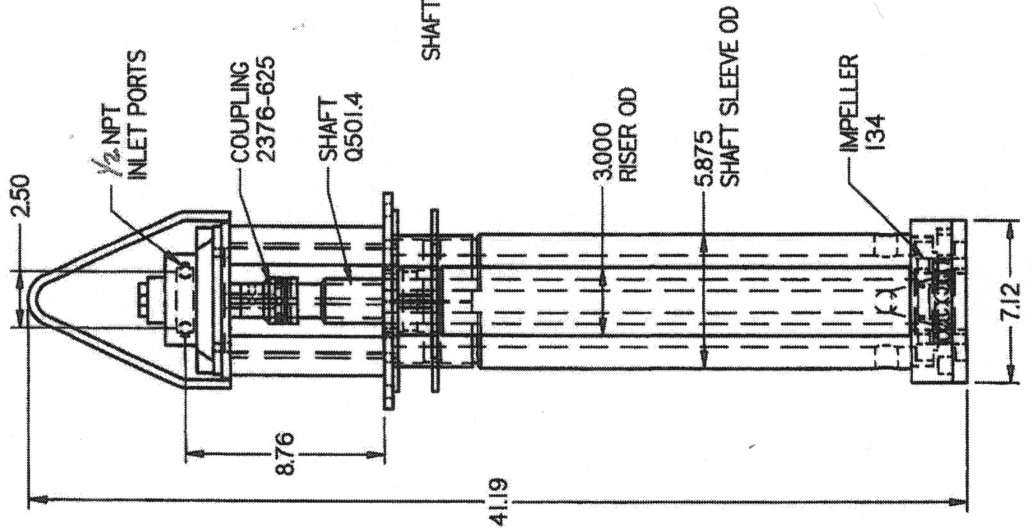
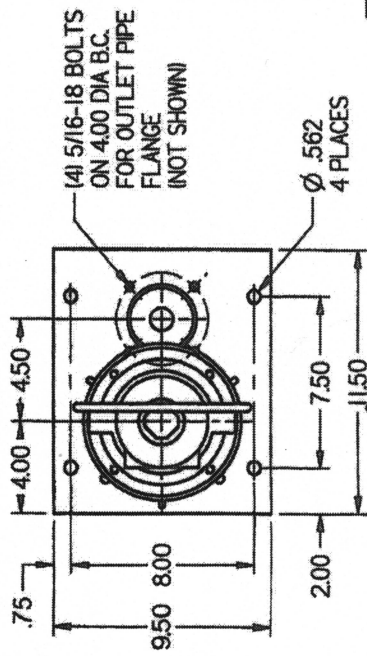


REV	DESCRIPTION	DATE	APPROVED



WEIGHT: APPROX. 90 LBS

MATERIAL: NOTED

NAME	DATE	REV
DRAWN K. JONES	03/29/17	
CHECKED		
ENG APPR		
MGR APPR		

HIGH TEMPERATURE SYSTEMS  
16755 Park Circle Drive Chagrin Falls, OH  
Tel: 440-543-8271 Fax: 440-543-9188

TITLE PUMP ASSY

SIZE (Dwg No) C Q501A

UNLESS OTHERWISE SPECIFIED DIMENSIONS ARE IN INCHES ANGLES ±0.5°

2 PL ±0.01 3 PL ±0.005

SCALE: WEIGHT: SHEET 1 OF 1

