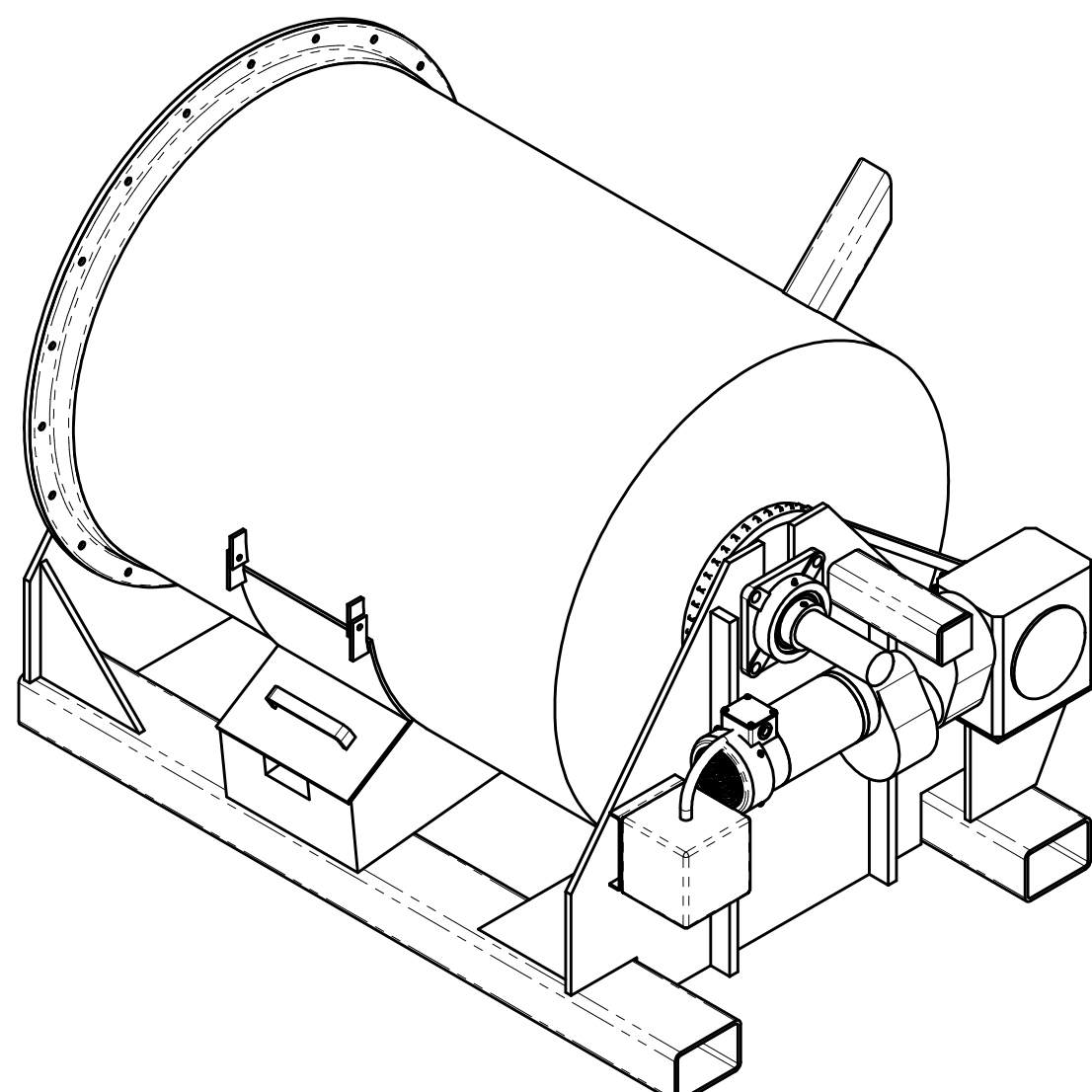
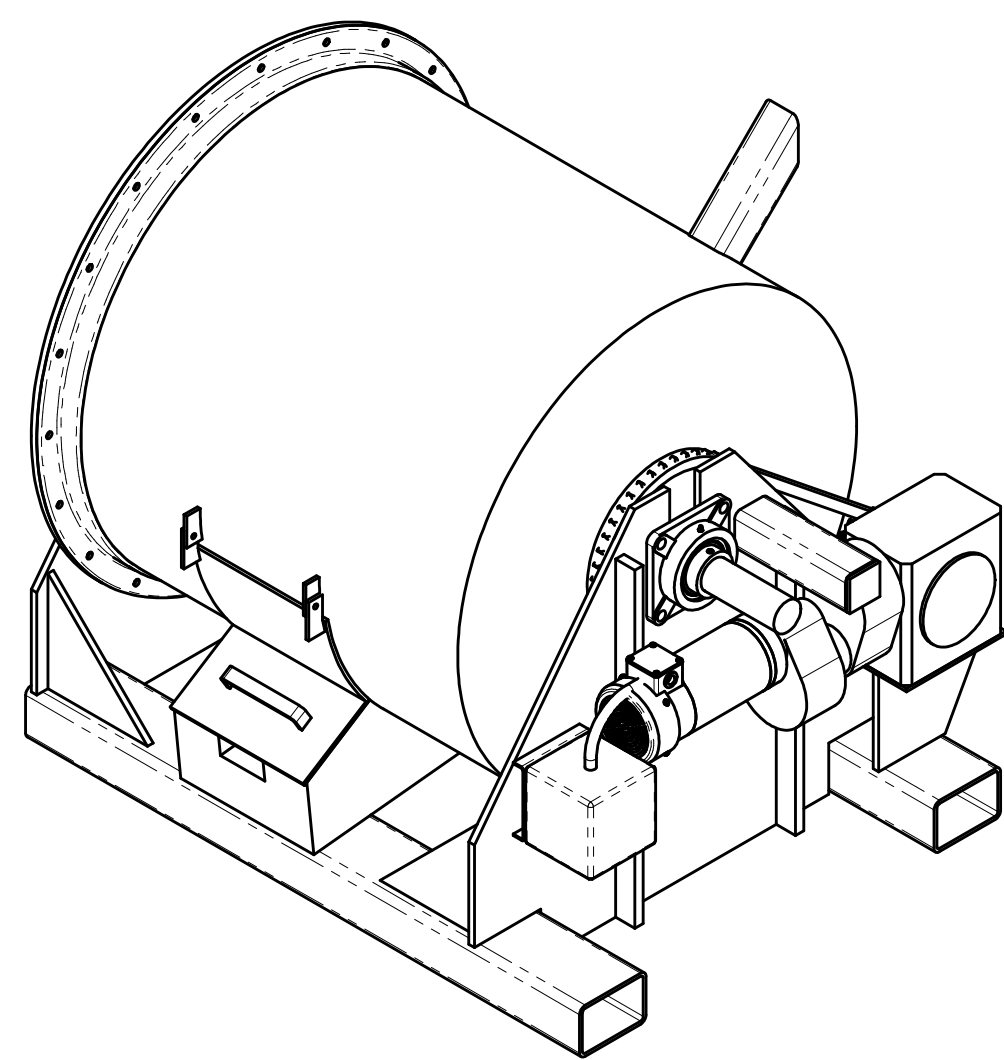


1,200 IB. CAPACITY

1,800 IB. CAPACITY

VIEW A-A



UNLESS OTHERWISE SPECIFIED ALL DIMS. IN INCHES	
IMPERIAL TOL.	METRIC TOL.
FRACTIONS ±1/16	X = ±0.2
X = ±0.03	XX = ±0.12
XX = ±0.010	XXX = ±0.050
XXX = ±0.005	
ANGULAR TOL. ±0°30'	
THIRD ANGLE PROJ.	
√ = 125° UNLESS NOTED	
WELDS: CONTINUOUS FILLET	
REMOVE UNNECESSARY SHARP CORNERS	

J.B. INDUSTRIES, Ltd. WARREN, OHIO U.S.A.		L. HABERNY COMPANY CHAGRIN FALLS, OHIO	
ROTARY LADLE		1,200# & 1,800#	
OUTLINE DRAWING			
DRN. 8/22/2018 BY JBI	PCN 01	DRAWING NUMBER B9206-201	REV. 0
CHK. 1/1/2000 BY INIT.	SCALE 1:8		

REV.	DESCRIPTION	DATE	BY